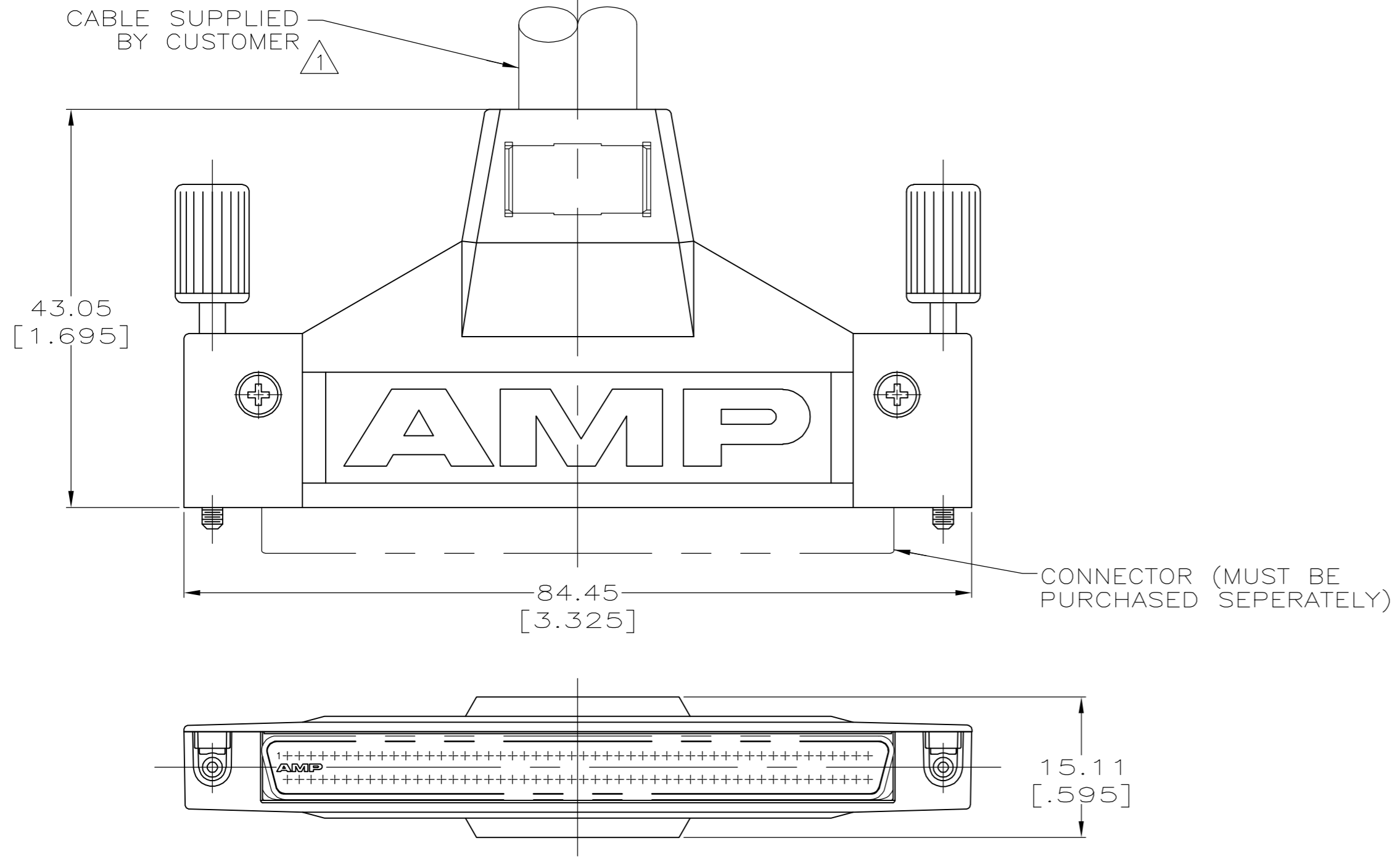
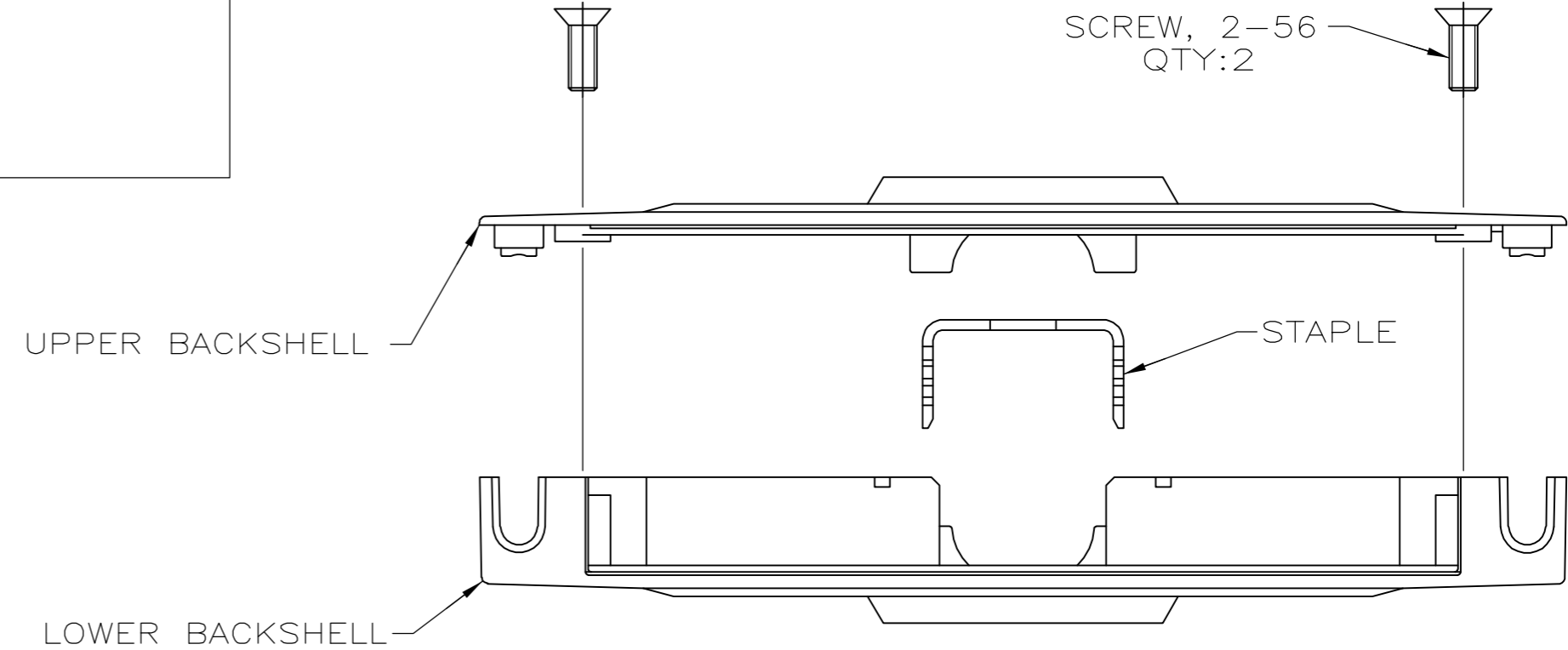
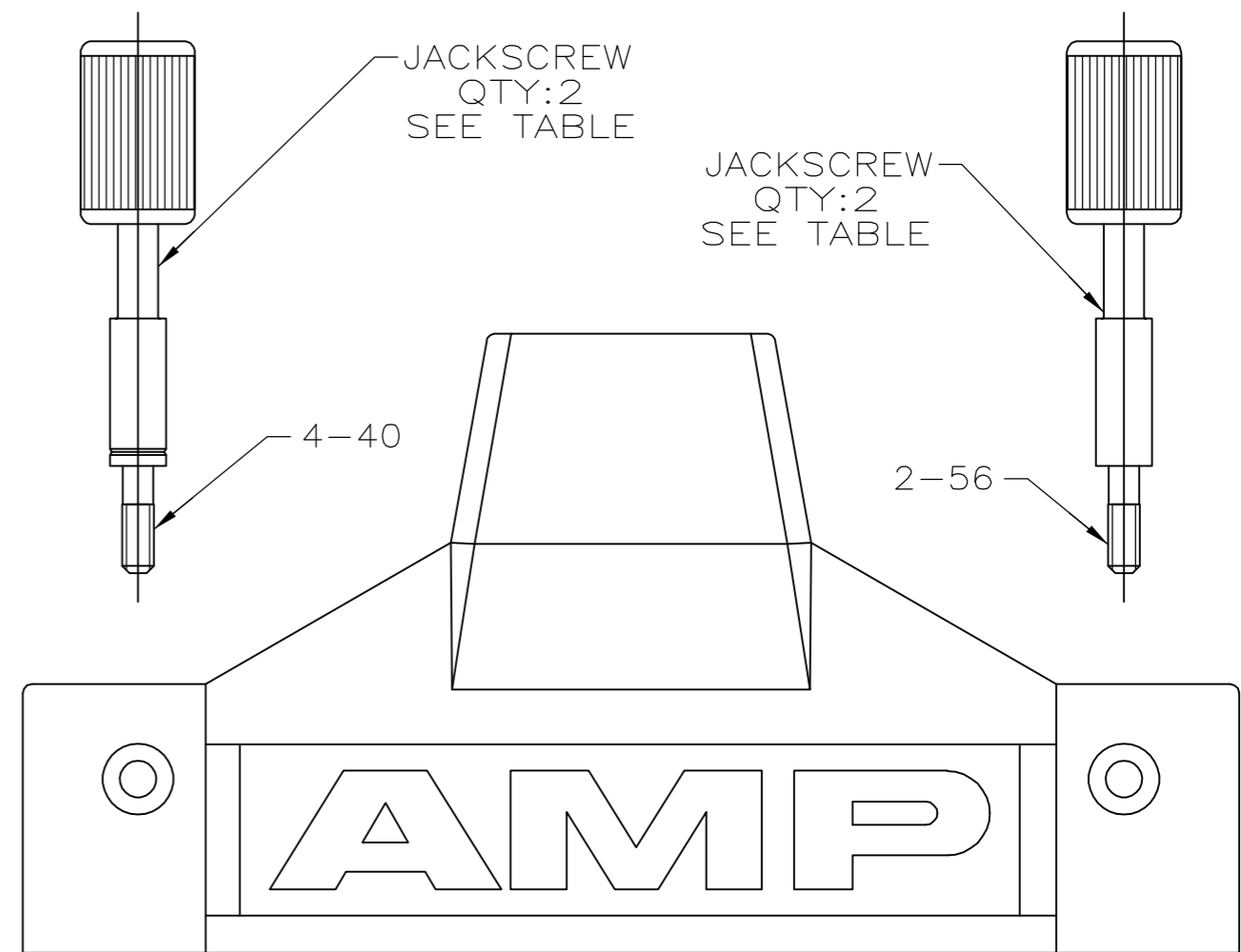


THIS DRAWING IS UNPUBLISHED. RELEASED FOR PUBLICATION
 © COPYRIGHT BY TYCO ELECTRONICS CORPORATION. ALL RIGHTS RESERVED.

LOC	DIST	REVISIONS			
P	LTR	DESCRIPTION	DATE	DWN	APVD
GP	00				
	E2	REVISED PER ECO-06-024597	13NOV06	JDP	SAS



ASSEMBLED VIEW



- ① 12.70[.500] MAX CABLE DIA.
- ② BACKSHELLS: ZINC PER ASTM AG40A, UNS Z33521.
- ③ SCREWS & BACKSHELLS: NICKEL PLATED.
- ④ STAPLE, JACKSCREWS & SCREWS: STEEL PER ASTM A109.
- ⑤ STAPLE: BRIGHT TIN-LEAD PLATED.
- ⑥ JACKSCREWS: FLAME RETARDANT 94 V-0 RATED, POLYOLEFIN OR PVC, COLOR: BLACK.
- ⑦ JACKSCREWS: BLACK ZINC PLATED.
- ⑧ STAPLE: BRIGHT TIN PLATED.

SUPERSEDED BY 5749081-1	2-56	⑧	749081-3
OBSOLETE	4-40	⑤	749081-2
	2-56	⑤	749081-1
	JACKSCREW THREAD	STAPLE FINISH	PART NO

THIS DRAWING IS A CONTROLLED DOCUMENT.		DWN JACK ROOT 11-23-88	tyco Tyco Electronics Corporation	
DIMENSIONS: mm [INCHES]		CHK M.WATERS 12-01-88	Harrisburg, PA 17105-3608	
TOLERANCES UNLESS OTHERWISE SPECIFIED:		APVD -	NAME	
0 PLC ± -	1 PLC ± -	PRODUCT SPEC -	INDIVIDUAL KIT, BACKSHELLS WITH MALE JACKSCREWS, 100 POSITION AMPLIMITE .050 SERIES	
2 PLC ± 0.38 [.015]	3 PLC ± -	APPLICATION SPEC -	SIZE A2	RESTRICTED TO -
4 PLC ± -	ANGLES ± -	WEIGHT -	CAGE CODE 00779	DRAWING NO C=749081
MATERIAL	FINISH	CUSTOMER DRAWING	SCALE 2:1	SHEET 1 of 1
② ④ ⑥	③ ⑤ ⑦ ⑧		REV E2	